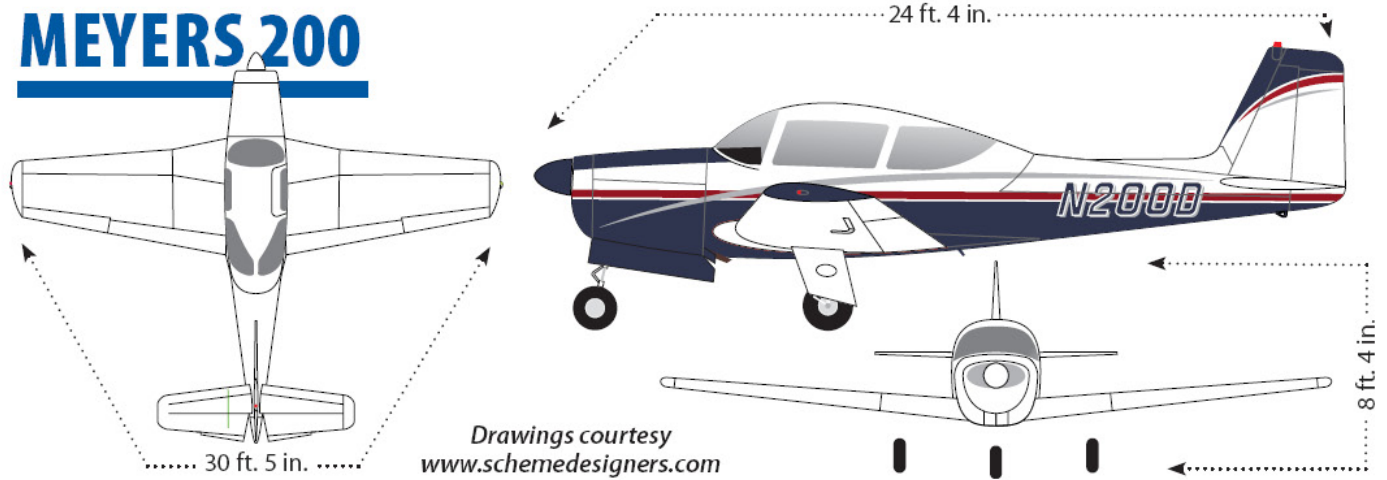
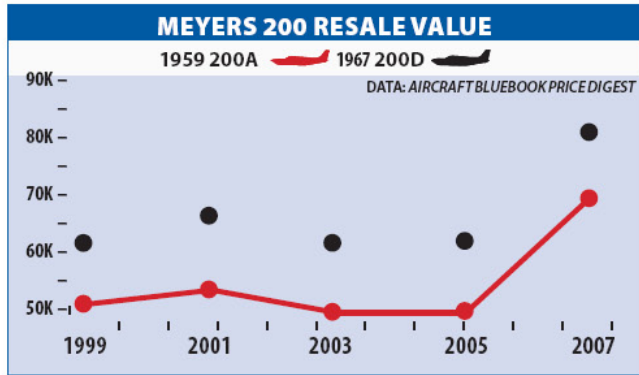


MEYERS 200



MEYERS 200 MODEL HISTORY

MODEL YEAR	ENGINE	TBO	OVERHAUL	FUEL	USEFUL LOAD	CRUISE	TYPICAL RETAIL
1959 MEYERS 200A	CONTINENTAL IO-470-D	1500	\$25,000	70	1130 LBS	170 KTS	±\$72,000
1960 MEYERS 200A	CONTINENTAL IO-470-D	1500	\$25,000	70	1130 LBS	170 KTS	±\$73,000
1961 MEYERS 200B	CONTINENTAL IO-470-D	1500	\$25,000	80	1025 LBS	170 KTS	±\$74,000
1962 MEYERS 200B	CONTINENTAL IO-470-D	1500	\$25,000	80	1025 LBS	170 KTS	±\$75,000
1963 MEYERS 200C	CONTINENTAL IO-470-D	1500	\$25,000	80	1025 LBS	170 KTS	±\$76,000
1964 MEYERS 200C	CONTINENTAL IO-470-D	1500	\$25,000	80	1025 LBS	170 KTS	±\$77,000
1965 MEYERS 200D	CONTINENTAL IO-520-A	1700	\$26,000	80	1060 LBS	183 KTS	±\$81,000
1966 MEYERS 200D	CONTINENTAL IO-520-A	1700	\$26,000	80	1060 LBS	183 KTS	±\$82,000
1967 MEYERS 200D	CONTINENTAL IO-520-A	1700	\$26,000	80	1060 LBS	183 KTS	±\$83,000



SELECT RECENT ADS

AD 2007-26-09	INSPECT, REWORK, REPLACE HARTZELL "Y"-SHANK PROPELLER BLADES
AD 2005-04-09	REMOVE CERTAIN MCCAULEY PROPELLER HUBS FROM SERVICE
AD 2004-08-10	REPLACE ECI CYLINDERS INSTALLED ON TCM IO-520 & 550 ENGINES
AD 1998-01-08	REPLACE PERFORMANCE ENGINEERING EXHAUST ROLLER ROCKER ARMS

SELECT LATE-MODEL COMPARISONS

